

Craftstone

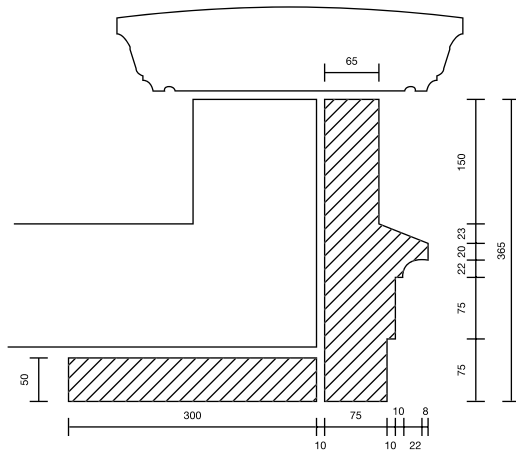
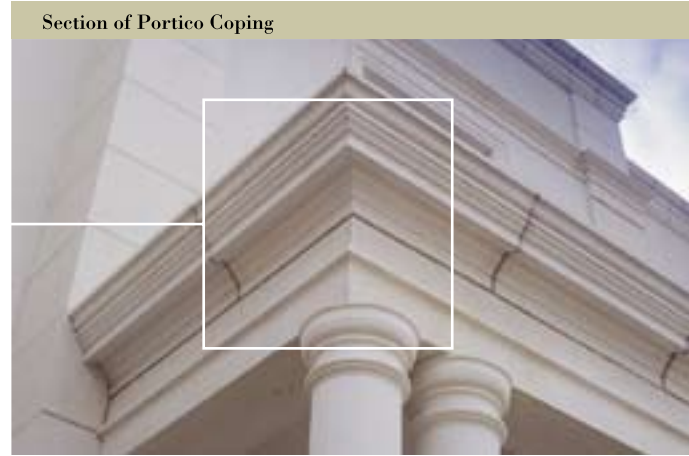
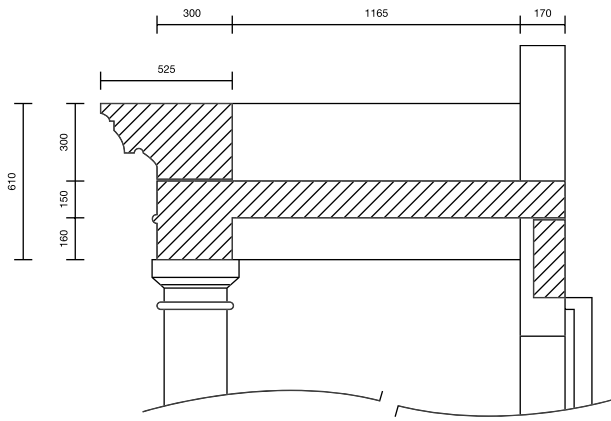


Back Road, Malahide is a small development of highly prestigious private dwellings close to Malahide Castle.

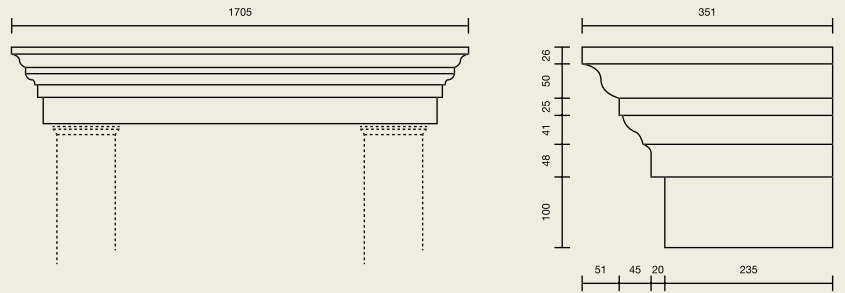
Well known architects, Melville Dunbar Associates included many architectural cast stone elements in the design of this particular project. Craftstone provided a selection of samples for approval and after consultation with the client the Architect chose a Portland stone finish manufactured by the wet-cast method.

Craftstone, the main contractor and the architect worked closely on this project and the result is a magnificent dwelling that all concerned can be proud of.

PROJECT	Private Dwelling
LOCATION	Malahide, County Dublin
ARCHITECT	Melville Dunbar Associates
CONTRACTOR	Muldar Developments Ltd



Elevation and Section of Garage Door Lintel



Elevation, Section and Plan of Chimney Arch Section

