

Craftstone



PROJECT	Mullan's Bar
LOCATION	Little James Street, Derry
ARCHITECT	John Duffy Design Group
CONTRACTOR	O'Neill Bros Limited

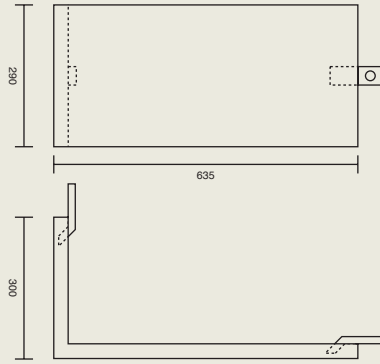
When Nigel Livingstone from well known architects John Duffy Design Group wanted architectural precast dressings for a new pub in Londonderry, he contacted Craftstone.

Construction of the building had already started and the only items which could be built-in were the sills and string course at first and second floor levels. These were supplied in a heavily exposed aggregate finish in a bath stone colour. Window surrounds, door surrounds and corner stones were made in glassfibre reinforced cement (GRC). This allowed the contractor to fix the dressings after the construction of the building was complete, thus causing no delays to programme.

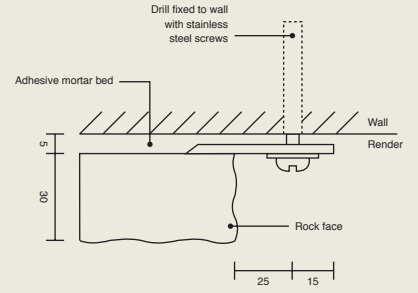
The corner stones and door surrounds were surface finished to give an antique appearance which blends well with the Tuscan-like plaster finish.



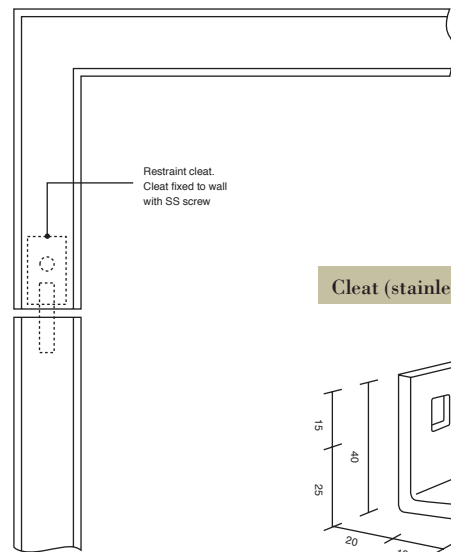
Elevation and plan of corner stones



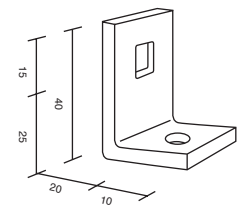
Section at fixing



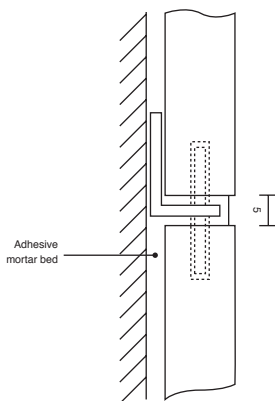
Window surround fixing details



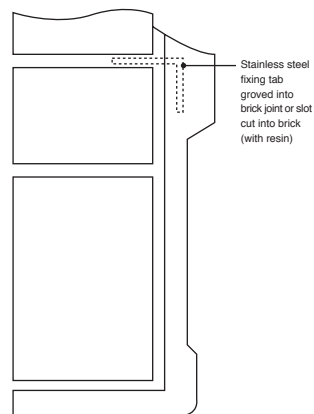
Cleat (stainless steel)



Section at cleat



Section through head



Section at string course

